

Model Numbers:

AV1315/AV1315DN + MPL3312

D4F-AV1315-3312	In-ceiling
D4F-AV1315DN-3312	In-ceiling
D4S-AV1315-3312	Surface
D4S-AV1315DN-3312	Surface

AV2815/AV2815DN + MPL3312

D4F-AV2815-3312	In-ceiling
D4F-AV2815DN-3312	In-ceiling
D4S-AV2815-3312	Surface
D4S-AV2815DN-3312	Surface

AV3115/AV3115DN + MPL3312

D4F-AV3115-3312	In-ceiling
D4F-AV3115DN-3312	In-ceiling
D4S-AV3115-3312	Surface
D4S-AV3115DN-3312	Surface

AV5115/AV5115DN + MPL3312

D4F-AV5115-3312	In-ceiling
D4F-AV5115DN-3312	In-ceiling
D4S-AV5115-3312	Surface
D4S-AV5115DN-3312	Surface

Note: For black chassis add -B

Mechanical:

- Housing material: Acrylonitrile Butadiene Styrene (ABS) Plastic
- Dome Cover Protection: Polycarbonates (PC)
- Color: Ivory(Black (-B))
- Mounting Type: D4F (in-ceiling mount) D4S (Surface Mount)

In-ceiling Mount Dome dimension:

- Bubble Cover: Diameter: 4 inch (101 mm) Height: 2 inch (51.7mm)
- Housing: Diameter: 6 inch (156 mm) Height: 4.9 inch (124 mm)
- Weight w/o camera: 0.64 lbs(0.29kg)
- Weight w camera and MPL3312 1.16 lbs(0.525kg)

In-ceiling Mount Dome dimension:

- Bubble Cover: Diameter: 4 inch (101.3 mm) Height: 2.9 inch (51.7mm)
- Housing: Diameter: 4.7 inch (118.5 mm) Height: 3.8 inch (95.4 mm)
- Weight w/o camera: 0.47 lbs(0.215kg)
- Weight w camera and MPL3312 0.98 lbs(0.445kg)

Compatible Lens:

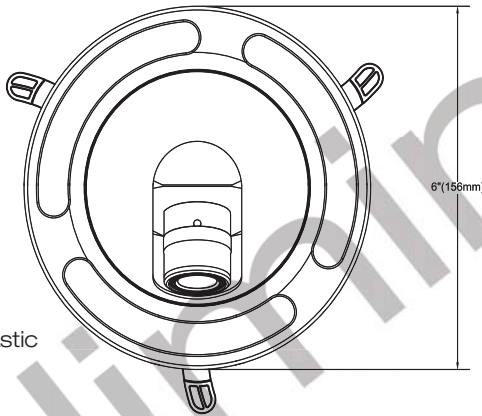
- MPL3312:
 - F1.4, 3.3-12mm, 1/2.5" optical format
 - Horizontal FOV:

	AV1315	AV2815	AV3115	AV5115
3.3mm	61°	92°	75°	95°
12mm	21°	31°	25°	32°

Compatible Cameras:

- AV1315,AV1315DN,AV2815,AV2815DN
- AV3115, AV3115DN, AV5115, AV5115DN

D4F Series



D4S Series

